

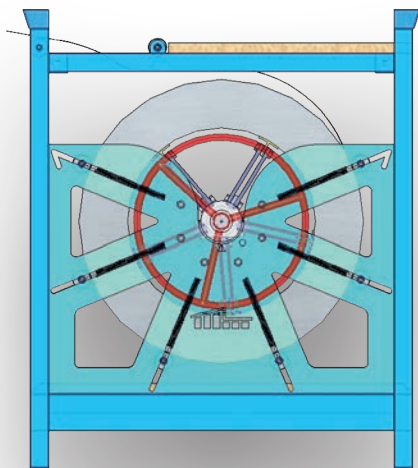


Lerchenmüller

Tinlsmithing and flat roof construction

COIL FIX

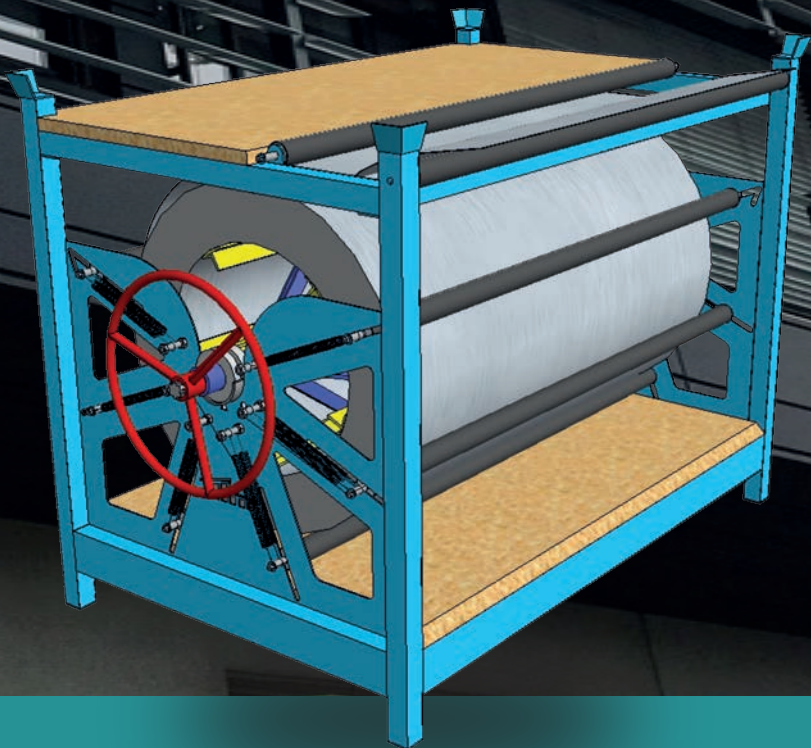
WWW.LERCHENMUELLER.DE



UP TO 1250
MM OF
SHEET METAL
CUTTING

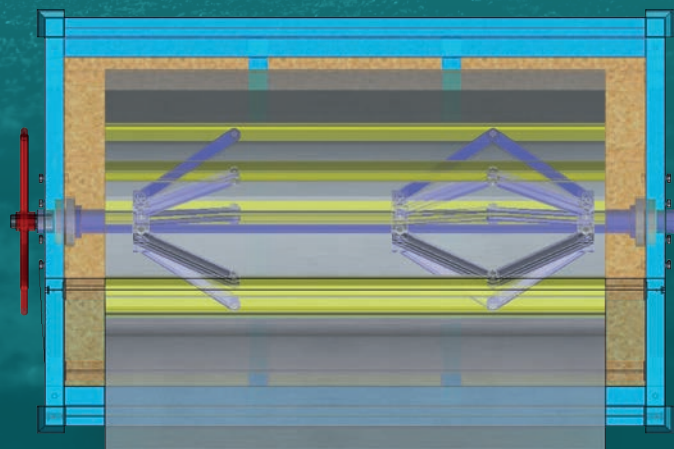
MADE IN GERMANY

“Made in Germany” has always stood for products of the highest quality. And of course, our products also meet this claim.



**SAVES
TIME, ENERGY
AND MONEY.**

THE COILFIX FROM LERCHENMÜLLER



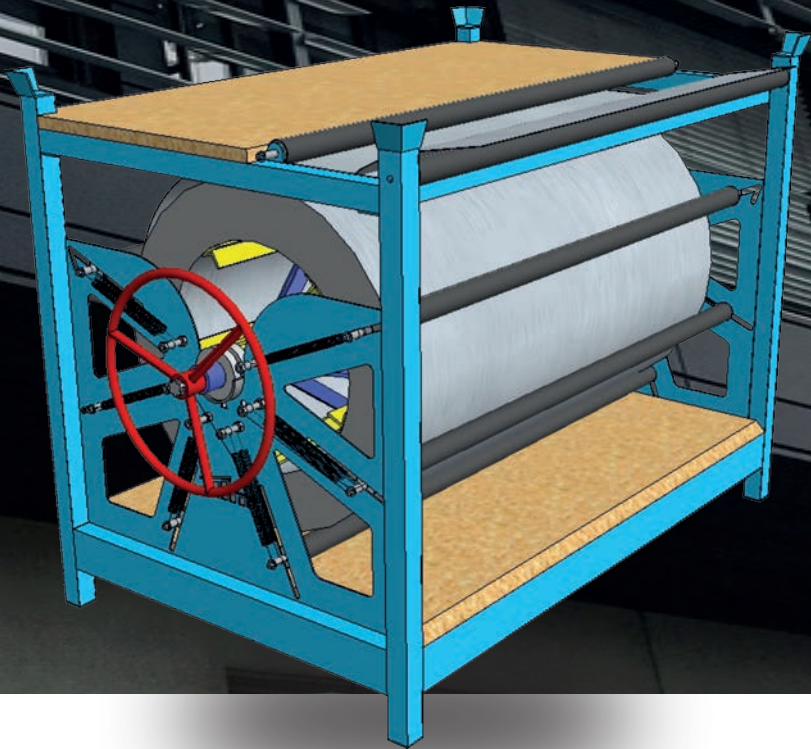
Our stackable coil carrier offers for coils. Thanks to the patented system, the coil remains wound and thus prevents unwanted unwinding.



Lerchenmüller

Tinlsmithing and flat roof construction

**COIL
FIX**



For sheet metal coils made of steel: up to 1,000 kg

For aluminum sheet metal coils: up to 500 kg

Dimensions: ca. 1,55m x 1,05m x 1,24m

ADVANTAGES OF THE COIL CARRIER FROM LERCHENMÜLLER

- two coil carriers stackable on top of each other
- simultaneous storage space
- quantity can be adapted to company size
- low acquisition costs
- valuable fixed assets
- coil does not unwind unintentionally
- unique clamping of the sheet metal coil
- easy handling
- patented

Baumeisterstr. 1
87463 Dietmannsried

phone: (+49) 8374 / 311 www.lerchenmueller.de
coilfix@lerchenmueller.de



Lerchenmüller
Tinlsmithing and flat roof construction